

**PRODUCT DATASHEET**

# MAX300-LG

Laboratory Gas Analyzer



## Fast Response

## Process Control

## Stable Measurement

- Real-Time Gas Analysis
- Catalysis Monitoring
- Trace Gas Detection
- Environmental Research
- Multipoint Process Control

## SPECIFICATIONS

### System Highlights

<b>Detectable compounds:</b>	Any gas or vapor sample
<b>Detection range:</b>	- Faraday detector: 100% – 5 ppm - Electron multiplier: 100% – 5 ppb* - Membrane inlet: 100% – 10 ppt*
<b>Analysis rate:</b>	0.005 – 16 seconds per component - User selectable
<b>Number of components:</b>	Unlimited
<b>Number of analysis routines:</b>	Unlimited
<b>Number of user configurable data tags:</b>	Unlimited
<b>Precision:</b>	<0.05% RSD over 24 hours**
<b>Stability:</b>	<0.5% RSD over 30 days**

### Ionization energy control for reduced fragmentation

### Automated detector switching within a single scan

<b>Filaments:</b>	Two, one active and one spare with automatic switchover
<b>Analyzer maintenance:</b>	1-3 years <sup>†</sup>
<b>Roughing pump:</b>	6-12 months <sup>†</sup>
<b>Manual or fully automated calibration and validation:</b>	3-12 month calibration intervals
<b>Mass range options:</b>	1-250, 300, 500 amu

### 19 mm High-transmission quadrupole filter

\* Matrix dependent. Documented on trace air components and benzene.

\*\* Based on the analysis of 1% argon, scan speed 1 second per analysis with no recalibration or intervention of any kind.

<sup>†</sup> Application dependent.

## MAX300-LG System Specifications

### Power Supply Options:

- 110 vAC +/- 10% vAC 50/60 hz, 10 Amp Circuit
- 230 vAC +/- 10% vAC 50/60 hz, 10 Amp Circuit

### Power Consumption:

- Nominal 700 Watts

### Weight:

- Approximately 165 lbs (75 kg)
- Optional cart: 40 lbs (18 kg)

### Ambient Requirements:

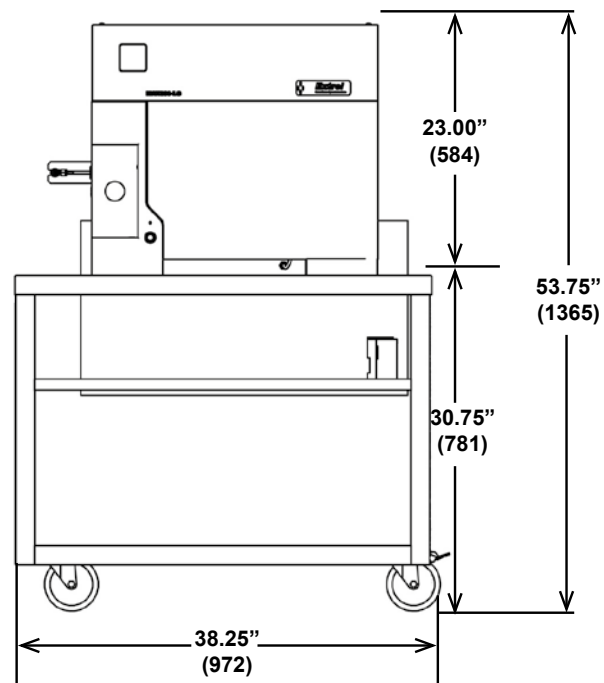
- 55°F to 80°F (13°C to 27°C)
- Area Classification: General Purpose

### Relative Humidity:

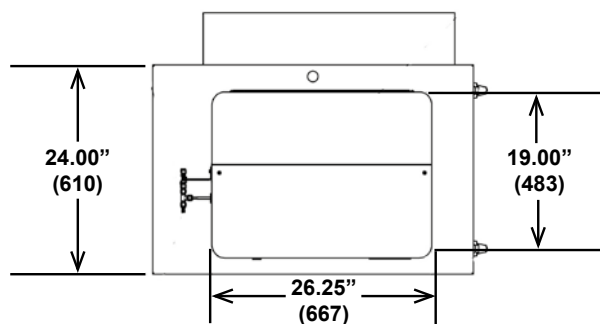
- 0-90% non-condensing

### Data System and Communications:

- System control interface options: Ethernet or USB
- Login security levels: Administrator, User, Viewer
- External communications: Ethernet, Modbus serial, digital I/O, analog I/O, OPC



MAX300-LG enclosure with cart



MAX300-LG enclosure with cart top view.

Dimensions shown in inches [cm]

---

## Exceptional Worldwide Service and Support

For over 55 years, Extrel has been committed to providing the highest quality support services for thousands of instruments installed worldwide. Factory trained and certified personnel offer industry-leading support to Extrel customers at every stage of their analytical process.

## PREMIUM INSIGHTS – GAIN REAL-TIME INSIGHT INTO YOUR PROCESS

Process Insights' products and solutions deliver innovative and differentiated analysis and measurement solutions and technologies that add high value to our customers and protect the environment.

Our commitment is to deliver smart and affordable innovation that optimizes process, improves safety, and transforms our world.

## CENTERS OF EXCELLENCE

PROVIDING PROVEN SOLUTIONS FROM A GLOBAL TECHNOLOGY LEADER

### Extrel CMS

575 Epsilon Drive  
Pittsburgh, PA 15238  
USA  
+1 412 963 7530  
[www.extrel.com](http://www.extrel.com)  
[info@extrel.com](mailto:info@extrel.com)  
[support@extrel.com](mailto:support@extrel.com)

### Process Insights – The Americas

4140 World Houston Parkway  
Suite 180  
Houston, TX 77032  
USA  
+1 713 947 9591  
[info@process-insights.com](mailto:info@process-insights.com)

### Process Insights – EMEA

ATRICOM  
Lyoner Strasse 15  
60528 Frankfurt  
Germany  
+49 69 20436910  
[info@process-insights.com](mailto:info@process-insights.com)

### Process Insights – APAC

Wujiang Economic and Technology  
Development Zone  
No. 258 Yi He Road, 215200 Suzhou  
Jiangsu Province China  
+86 400 086 0106  
[info@process-insights.com](mailto:info@process-insights.com)

## OUR PREMIUM GLOBAL BRANDS

